



COOLEDGE 90W cUL LED DRIVER INSTALL GUIDE (TILE INTERIOR/LINE)

Please read instructions prior to installation

Installation must be completed by a qualified electrician in accordance with all national and local electrical and construction codes.

Ensure power is off prior to installation.

Cooledge TILE Interior and LINE products are dry location rated only.

Cooledge TILE Interior and LINE must be powered by a Cooledge approved constant voltage Class 2 or LPS LED driver

Using a non-Cooledge approved power source could damage the system and will void the warranty

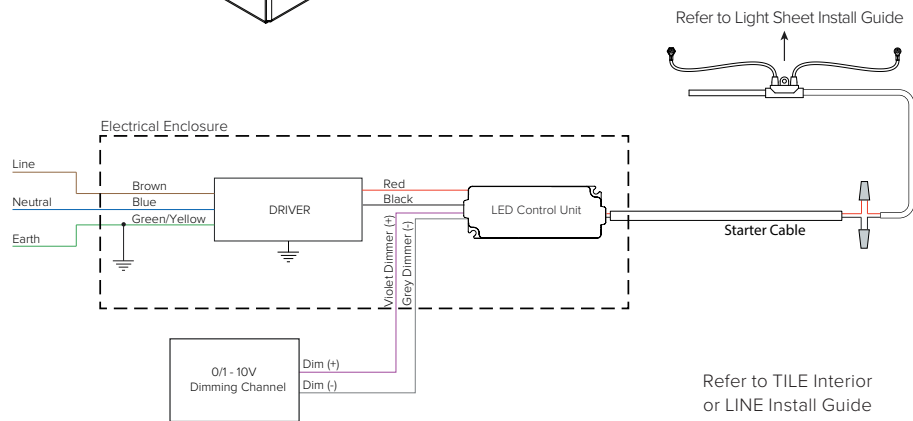
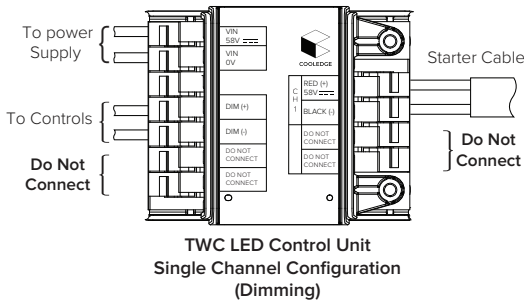
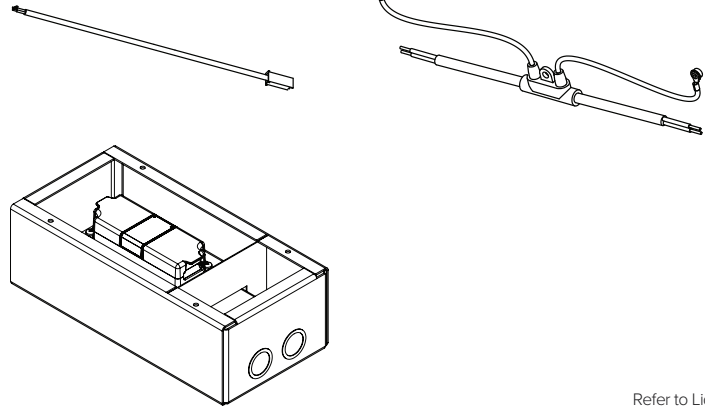
WARNING - Driver is tuned to 58V do not adjust voltage.

WARNING - DO NOT CONNECT the AC power directly to the TILE or Connector Strip. All AC connections are to be made within the LED driver enclosure.

WARNING - Incorrect wiring of TWC terminal may result in permanent damage.

LINE Starter Cable

TILE T-Cable



1. Mount the enclosed driver at the required location using appropriate fasteners. If driver is to be recessed in a wall or ceiling, ensure proper access is available during installation to enable correct installation.
2. Connect the bare conductors of the Starter Cable to the indicated terminals on the TWC LED Control Unit. If required, shorten the cable to the appropriate length and strip the termination. Make sure the strain relief clamps the cable jacket in the TWC LED Control Unit.

3. Make the AC connection to the LED Driver using a method approved by local electrical codes.
4. If connecting a 0-10V or 1-10V dimmer, ensure that the grey and violet wires from the dimmer are connected to the corresponding location on the TWC LED Control Unit.
5. Refer to TILE Interior or LINE Install Guide for more detailed installation instructions.



RoHS



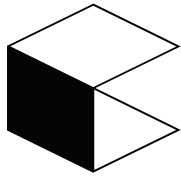
5 Year Limited Warranty:
Parts and workmanship

EN 60598 Compliant (as a system)

Cooledge Lighting Inc.
110-13551 Commerce Parkway
Richmond, BC V6V 2L1 Canada

O +1 604 273 2665
F +1 604 273 2660
T +1 844 455 4448
W cooledgelighting.com

Cooledge Lighting reserves the right to change materials or modify the design of its product without notification as part of the company's continuing product improvement program.



COOLEEDGE

POWER SUPPLY INFORMATION

INPUT

Voltage 100-240 VAC 1.2 A 50/60 Hz Class 2 per UL

Voltage 277 VAC 0.5 A 50/60 Hz Class 2 per UL

